

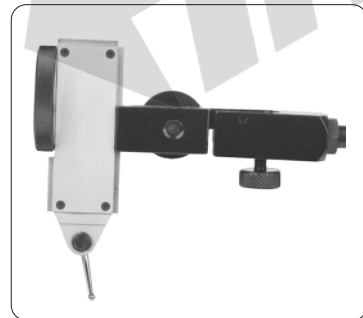
- 1-Holding device
- 2-Fine adjustment screw
- 3-Upper arm
- 4-Magnetic switch

- 5-Holding locking screw
- 6-Locking wrench
- 7-Lower arm
- 8-Magnetic base

1. This magnetic stand is for digital/dial indicators and dial test indicators.
Holding as follows:



holding stem $\Phi 8\text{mm}$ in metric/ $3/8''$ DIA in inch



holding dovetail groove

2. Usage:

---Holding indicator as above ways.

Caution: To avoid the measurement error which caused by fine adjustment elasticity, the contact point and the fine adjustment screw should be located at the same side(fig.1).

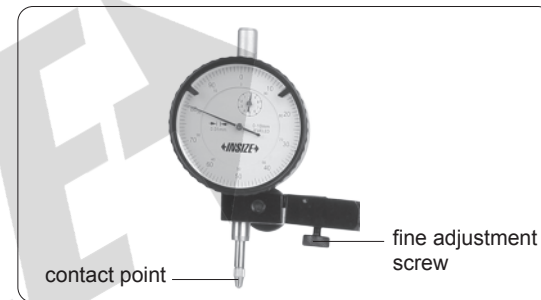


fig.1

---Let the magnetic base be in contact with the machine tool, then turn on the magnetic switch to make sure that the universal magnetic stand can contact with the machine tool steadily.

Caution: Please make sure that the magnetic base and machine tool are cleaning, otherwise, the universal magnetic stand may slide slightly during measurement, which will affect the measuring results.

---Loosen the holding locking screw and locking wrench to adjust the arms and indicator to the appropriate position. Rotate fine adjustment screw is convient to operate when the indicator is close to the workpiece. After adjustment, please make sure each part is locked steadily.

---After measurement, turn off the magnetic switch, universal magnetic stand can be removed from the machine tool.

3. To get accurate measurement, please try to avoid using the universal magnetic stand in vibration environment.