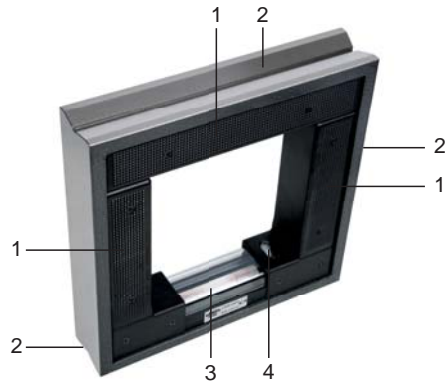


No need to set zero before use

Sensitivity: 0.02mm/m(=0.001°)

- 1-Plastic hand grip
- 2-V-groove
- 3-Main bubble
- 4-Vice bubble



1. Before use, the temperature of block level and the measuring object must have an equal temperature. Both parts must be within the range of the working temperature. The measuring bases of the level and the object must be accurately clean.
2. Slide (not put) the level on the surface of object. The negative range is on the left of both index lines, the positive range is on the right (Fig.1).

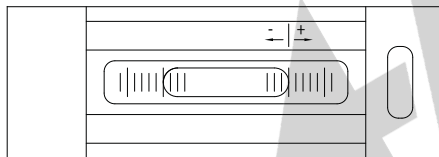


Fig.1

- a) After the bubble stops oscillating, read A on the scale (Fig.2).

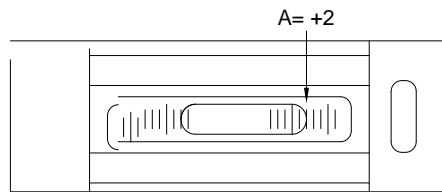


Fig.2

- b) Turn the level 180°, slide the level at the same position of the surface. After the bubble stops oscillating, read B on the scale (Fig.3).

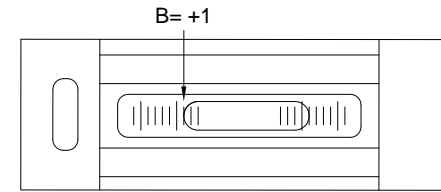


Fig.3

- c) The reading should be  $(A+B)/2$ .  
In the above example:  $A = +2$ ,  $B = +1$ ,  $(A+B)/2 = +1.5$  DIV. Tilt angle is  $0.0015^\circ$
3. Before and during measurement the level only may be touched on the plastic hand grips for thermal protection.
4. Light up and down block level gently, please don't be shocked. The mental face should be oiled (such as vaseline) to prevent rust after use and then put it into package box.
5. V-groove  $150^\circ$  on bottom of block level is used for shafts (shafts dia. 19.3~115.9mm).