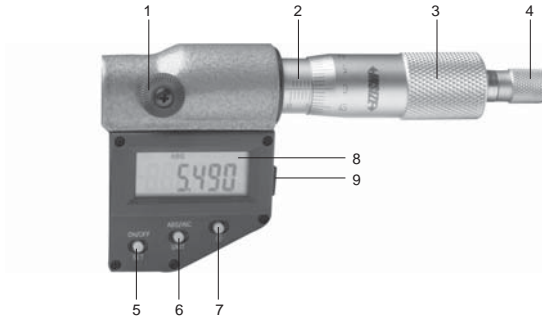




OPERATION INSTRUCTION Digital Micrometer

Resolution: 0.001mm/0.00005"



- 1-Locking screw
- 2-Sleeve
- 3-Friction thimble
- 4-Ratchet stop
- 5-ON/OFF SET button

- 6-ABS/INC UNIT button
- 7-G button
- 8-LCD display
- 9-RS232 output

1. The micrometer is dustproof and waterproof (IP54).

2. Install battery:

- Turn the battery cover 45° counterclockwise with the spanner (fig.1), then remove it
- Put SR44 or LR44 battery into battery house, the positive side of battery (+) should face out (fig.2)
- Put the battery cover back and turn clockwise to fix it (fig.3)

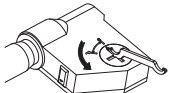


fig.1

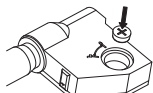


fig.2



fig.3

3. Buttons:

ON/OFF SET---short press(<2 sec.): power on/off

---long press(>2 sec.): set the initial reading in absolute measuring mode ("ABS" on the display). For 0-25mm/0-1", close the two measuring faces and long press the button to set zero reading. For other sizes, let the measuring faces be in contact with the setting standard ends or setting ring hole (micrometer measures the setting standard or setting ring), then long press the button and the reading shows the length of the setting standard or the size of the setting ring hole.

ABS/INC UNIT---short press(<2 sec.): for absolute and relative measuring mode conversion. The normal mode is absolute measuring mode, "ABS" is on display. Press the button to enter relative measuring mode at any point (this point is called 'relative zero point'), "INC" appears and the reading is zero. In this mode, the reading is the distance to the 'relative zero point'. Press the button again to return back to absolute measuring mode.

---long press(>2 sec.): for metric and inch conversion

G ---long press(>2 sec.): enter data output mode and "G" appears, connect SPC cable for data output.

4. Please clean the measuring faces and setting standard ends (or setting ring hole), then set initial reading (refer to the instructions of "ON/OFF SET" button). Micrometer should be checked regularly to make sure that it is properly initial reading set.

5. During measurement, let the fixed measuring face contact with the workpiece first, then rotate ratchet stop until you hear click, or rotate friction thimble until moving measuring face is close to, but not in contact with the workpiece, which will damage the internal precision threads.

Caution: When the measuring faces is close to, but not in contact with the workpiece, do not apply excessive force to rotate the ratchet stop, as it will lead to inaccurate results and may damage the internal precision threads.

6. Optional SPC cable (7302-SPC2, series 7304).

7. Automatic power off in about 5 minutes. Press any button (except "G" button) or rotate friction thimble to turn on micrometer.

8. One battery can last for one year use. If there is nothing on display or digits blurring, battery voltage is too low, please replace battery. If digits do not change when buttons are pressed or friction thimble is rotated, take out battery and put it back after 1 minute. Remove battery if micrometer is not used for a long period of time, otherwise, liquid may leak from the battery and damage the micrometer.

9. Working temperature is 0-40°C/32-104°F.

MN-INS-M01-IP-E