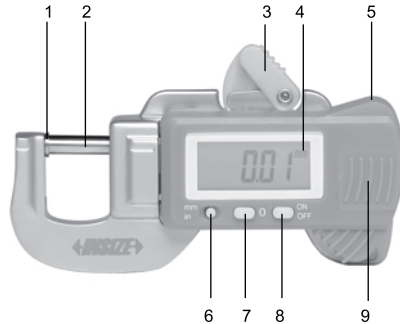


Caution: Prevent liquid from getting into snap gage to damage electronics.



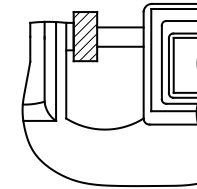
Measuring range: 0-12mm/0-0.5"
 Resolution: 0.01mm/0.0005"
 Battery: LR44

1-Anvil
 2-Moving tip
 3-Spanner
 4-LCD display
 5-Output

6-'mm/in' button
 7-'ZERO' button
 8-'ON/OFF' button
 9-Battery cover

1. Put battery into the snap gage, the positive side of battery should face out.
2. Clean measuring faces before use.
3. Buttons
 - 'ZERO' is to set zero.
 - 'mm/in' is for inch and mm conversion.
 - 'ON/OFF' is to turn on display or turn off display.

4. Measurement



5. Zero setting

Snap gage should be checked regularly to make sure that it is properly zero set. The reading should be zero when the moving tip contacts the anvil, otherwise press '0' to set zero reading. Open and close the moving tip to verify if the reading returns to zero.

6. One battery will last for one year of continuous use. If there is nothing on display or digits flash, battery voltage is too low, please replace battery. If digits do not change when buttons are pressed, take out battery and put it back after 1 minute. Remove battery if snap gage is not to be used for a long period of time.

7. Working temperature is 0-40°C. Do not put snap gage near strong magnetic field. Keep snap gage dry. Prevent liquid from getting into snap gage to damage electronics. Do not apply voltage on snap gage like engraving with electric pen.