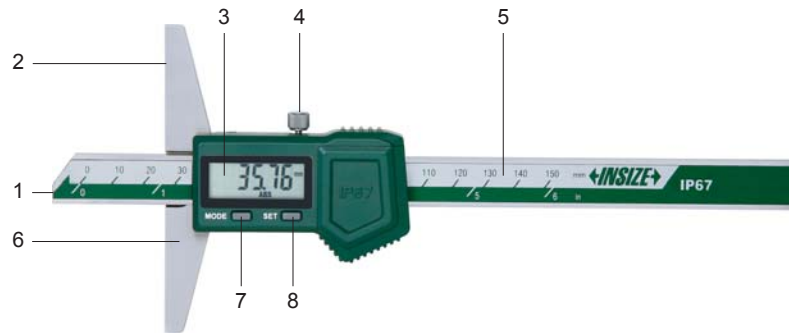


Resolution: 0.01mm/0.0005"

Accuracy: $\pm 0.02\text{mm}/0.0008\text{"}$ (Range: 0-100mm/0-4")

$\pm 0.03\text{mm}/0.0012\text{"}$ (Range: 100-250mm/4-10")

$\pm 0.04\text{mm}/0.0016\text{"}$ (Range: 250-300mm/10-12")



1-Measuring face

2-Base plane

3-LCD display

4-Locking screw

5-Beam

6-Base

7-"MODE" button

8-"SET" button

1. The caliper is dustproof and waterproof IP67 (against invaders like dust and liquid, immerse for a few minutes in water).

2. Install battery:

---Loosen screw and remove the battery cover (fig.1)

---Put CR2032 battery into battery house, the positive side of battery (+) should face out (fig.2)

---Close the battery cover, tighten the screw

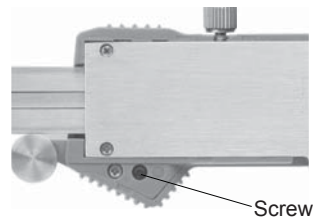


fig.1

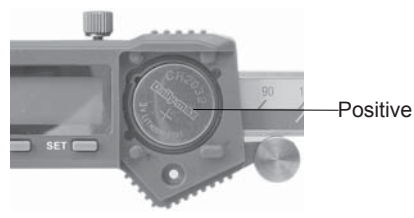


fig.2

3. Button:

When display is powered off: Press any button to turn on.

When display is powered on: Long press "SET" to turn off.

Press "MODE" once to enter setting zero mode, press "SET" to set zero.

Press "MODE" twice to enter ABS (absolute measurement) and REL (relative conversion), press "SET" to change the mode, press "MODE" to exit.

Press "MODE" three times to enter metric and inch conversion, press "SET" to change the unit, press "MODE" to exit.

In ABS mode, press "SET" to hold the reading.

In REL mode, press "SET" to set relative zero.

4. It is necessary to set zero on the inspection plate before measuring. Clean the measuring faces and inspection plate surface with soft cloth, then put the base plane on the inspection plate, keep pressing the base. Gently pull the beam to let measuring face contact with the plate, lock the locking screw and press "SET" button to set zero. Caliper should be checked regularly to make sure that it is properly zero set.

5. Please pay attention to follow two points during measurement:

---Make sure there are no dust, cutting chips or other debris on the measuring faces and workpiece surface, otherwise, the measurement may be incorrect.

---Measuring face and base plane should be protected from being scratched or damaged. It is necessary to press the base steady and apply constant and proper force to pull the beam.

6. Automatic power off in about 2 hours in REL mode. Long press "SET" to turn off caliper in ABS mode.

7. If the product becomes abnormal, there is "ERRO" on display. Please press any button to return measuring mode, and set zero before use.

8. One battery can last for one year use. If there is "B" on display, battery voltage is too low, please replace battery. If caliper is not be used for a long time, please remove the battery. Otherwise, liquid may leak from the battery and damage the caliper.

9. Working temperature is 0-40°C/32-104°F.