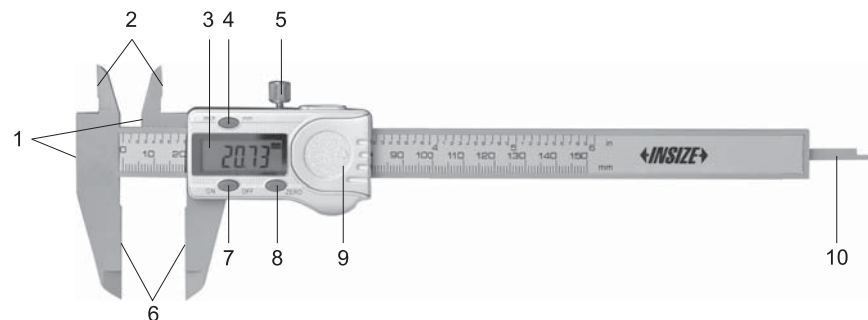


Measuring range: 0-150mm/0-6"

Resolution: 0.01mm/0.0005"

Accuracy: $\pm 0.1\text{mm}$



- 1-Step measuring faces
- 2-Internal measuring jaws
- 3-LCD display
- 4-'inch/mm' button
- 5-Locking screw

- 6-External measuring jaws
- 7-'ON/OFF' button
- 8-'ZERO' button
- 9-Battery cover
- 10-Depth measuring bar

1. The caliper is not waterproof. Please protect electronic components from liquid.
2. A plastic ruler of the body, the nonmagnetic and nonconductive, which can effectively prevent the surface of workpieces from scratching by caliper.
3. Install battery:
 - Remove the battery cover (fig.1)
 - Put CR2032 battery into battery house, the positive side of battery (+) should face out
 - Put the rubber cover on battery, the 'FRONT' side should face out and the protruding part 'b' of the rubber cover should fit into the notch 'a' of the battery house (fig.2)
 - Close the battery cover

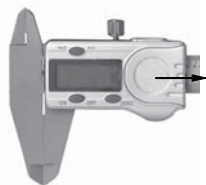


fig.1

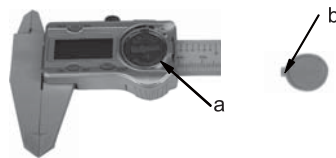


fig.2

4. Buttons:

- 'inch/mm' is for inch and mm conversion
- 'ON/OFF' is to turn on/off
- 'ZERO' is to set zero

5. Please clean the measuring faces with soft cloth, then close the external jaws and press 'ZERO' button to set zero. Caliper should be checked regularly to make sure that it is properly zero set.

6. To get accurate measurement, it is necessary to control the force. During measurement, please always apply constant and proper force on the caliper. The measuring jaws should "hold" the workpiece and can still "slide" on the workpiece.

7. Automatic power off in about five minutes. Press 'ON/OFF' button or move the digital unit to turn on display.

8. One battery can last for one year use. If there is nothing on display or digits flash, battery voltage is too low, please replace battery. If caliper is not be used for a long time, please remove the battery. Otherwise, liquid may leak from the battery and damage the caliper.

Remove battery:

- Remove the battery cover and rubber cover
- Press the battery(fig.3) and the battery comes off the battery house

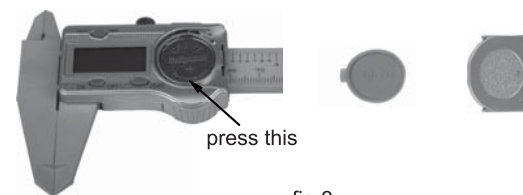


fig.3

9. If digits do not change when buttons are pressed, take out battery and put it back after 1 minute.

10. Working temperature is 0-40°C/32-104°F, relative humidity should not exceed 80%.